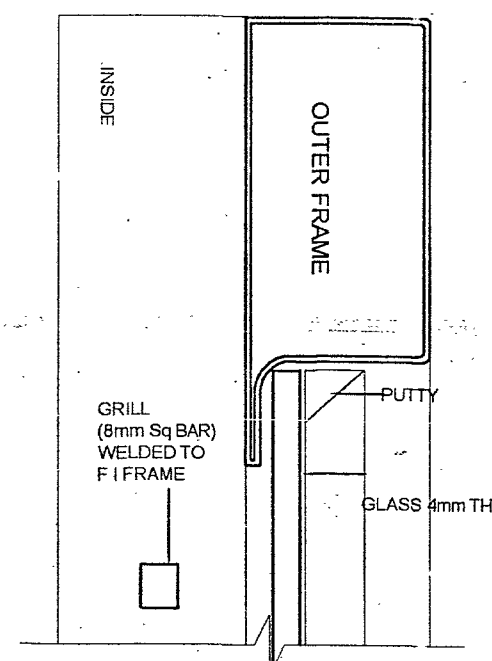
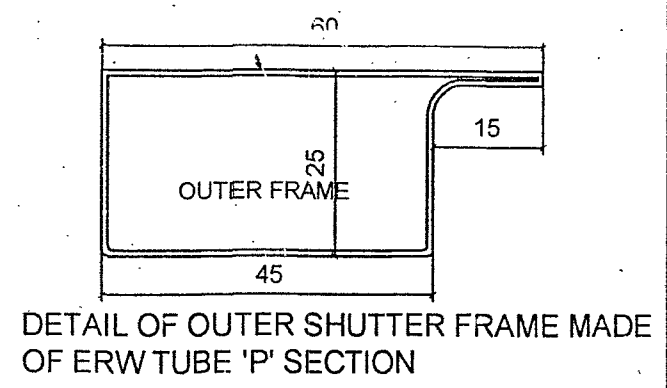


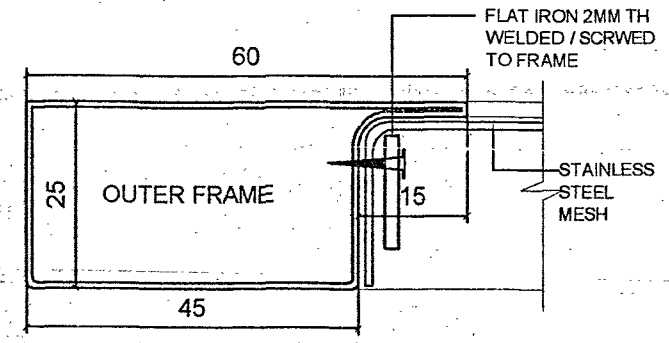
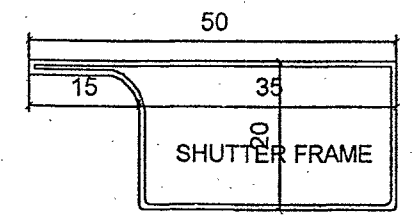
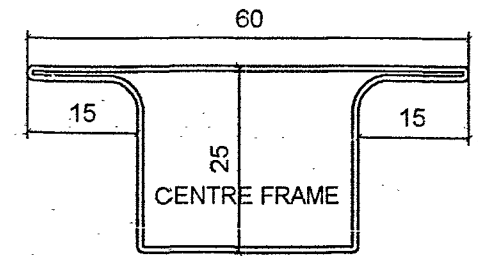
DETAIL AT F



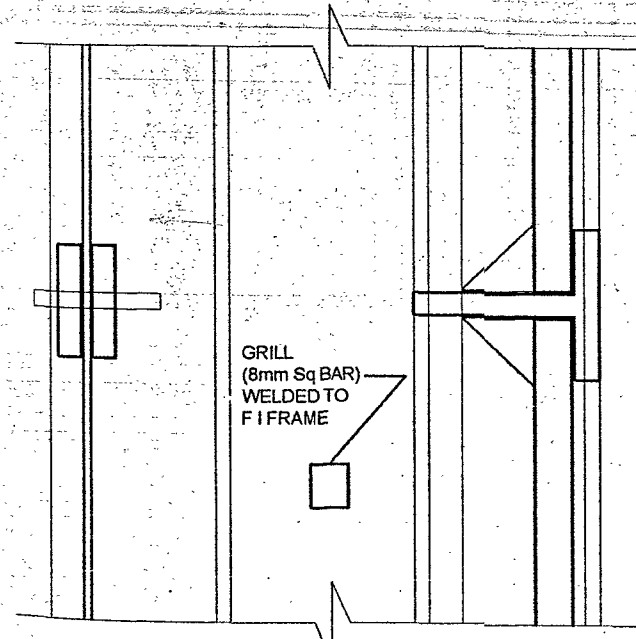
DETAIL AT E



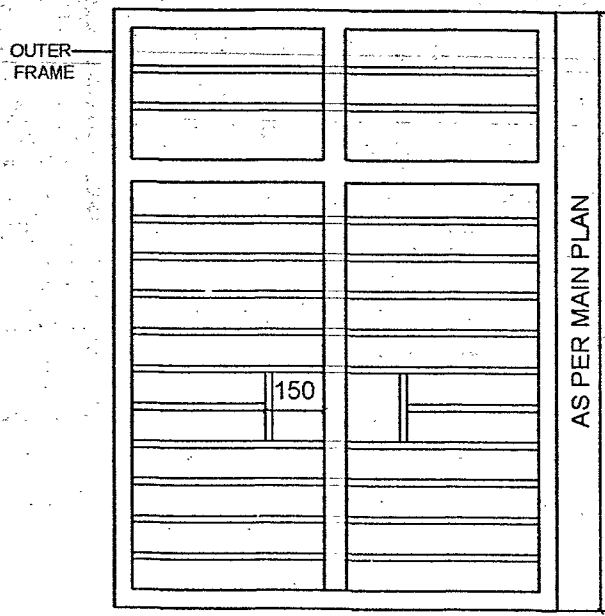
DETAIL OF OUTER SHUTTER FRAME MADE OF ERW TUBE 'P' SECTION



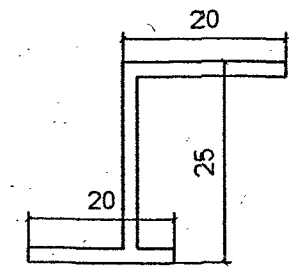
FIXING DETAIL OF WIREMESH WITH SHUTTER FRAME



DETAIL AT G



AS PER MAIN PLAN  
ELEVATION OF GRILL



DETAIL OF 'Z' SECTION AS HANDLE AND STOPPER

S NO	DATE	DESCRIPTION	INITIAL
REVISION			
TYPICAL DETAIL OF BOX WINDOW (STEEL) WITH FLY PROOF SHUTTER			
DATE	01-05-08	CHIEF ENGINEER	S/N
DRN		JALANDHAR ZONE	3/3
TCD			
CKD			
SCALE	AS SHOWN	DRG. NO. CE/JZ / TD- 1020/08	

*Abhishek*  
AAD (ARCH)

*[Signature]*  
DIRECTOR, JALANDHAR ZONE  
FOR CHIEF ENGINEER